

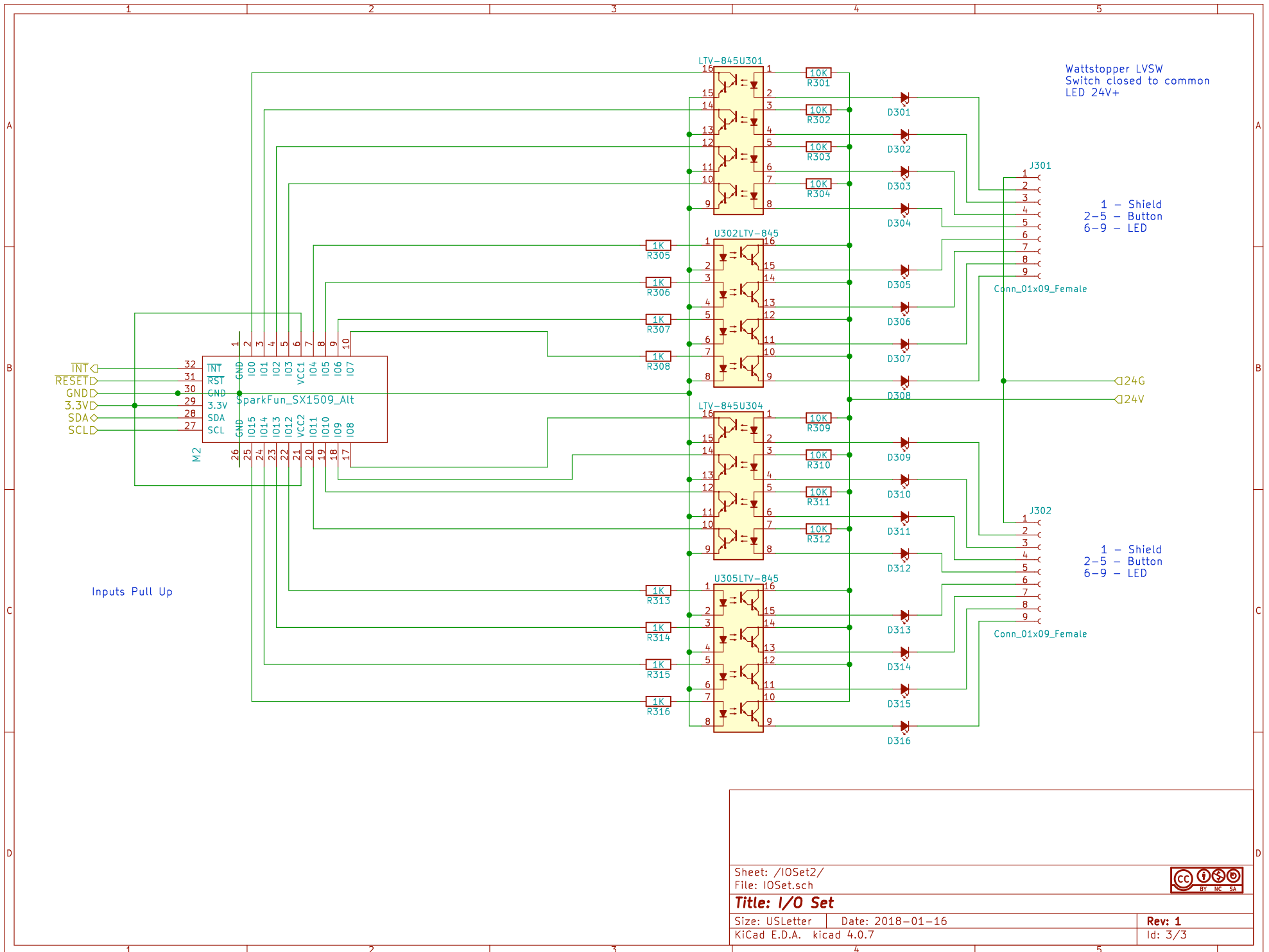
Sheet: /IOSet1/
File: IOSet.sch



Title: I/O Set

Size: USLetter | Date: 2018-01-16
KiCad E.D.A. kicad 4.0.7

Rev: 1
Id: 2/3



Sheet: /IOSet2/
File: IOSet.sch



Title: I/O Set

Size: USLetter | Date: 2018-01-16
KiCad E.D.A. kicad 4.0.7

Rev: 1
Id: 3/3