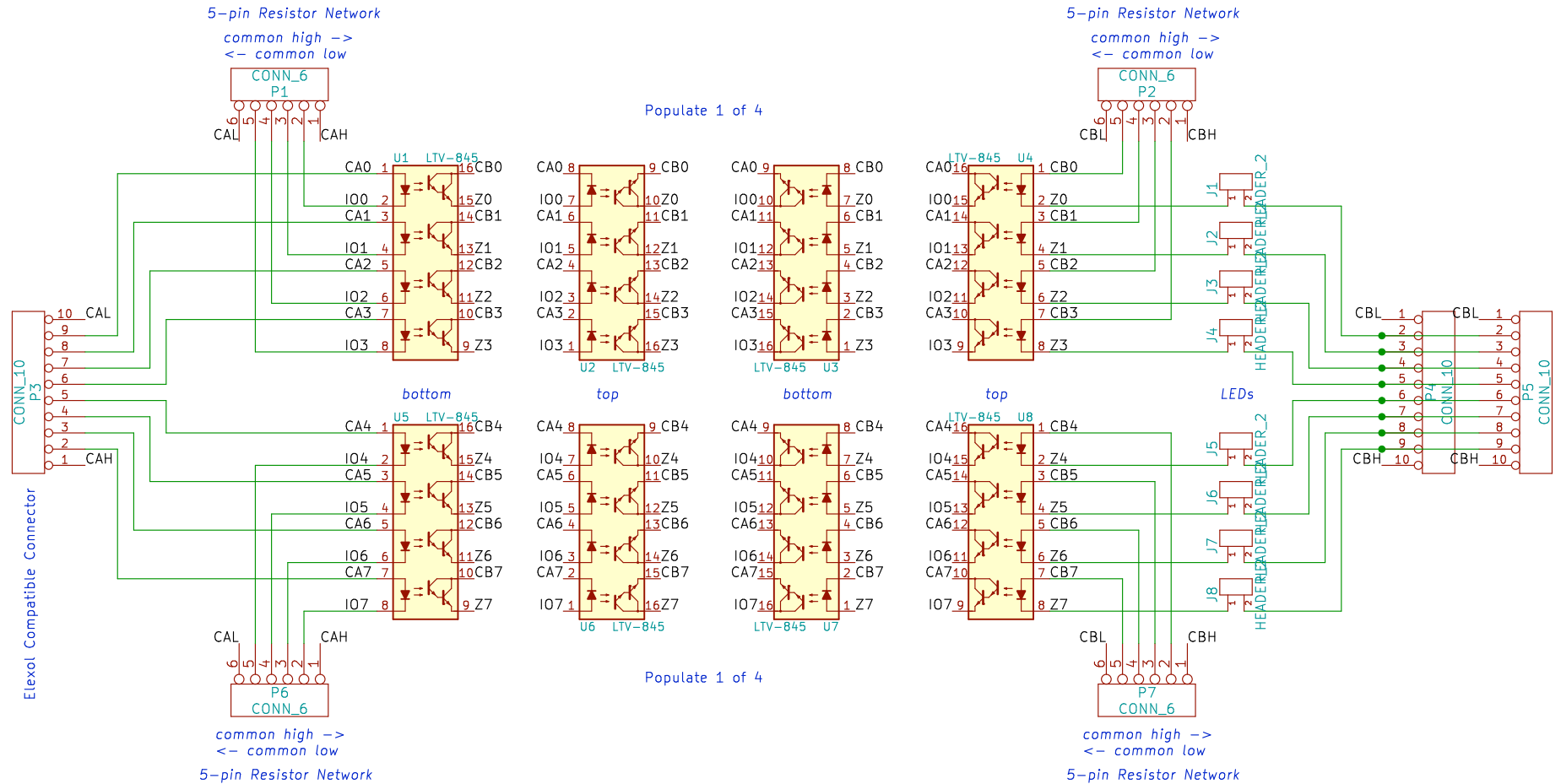


Shown with optional single row sockets for P1, P2, P6, P7, and J1-J8. If you are going to use sockets, be aware that some networks/sockets will not make good contact. Machined sockets work well.



Left (Controller) (A)			Direction	Right (Device) (B)			Populate	
Compatibility	Common	I/O On		Common	I/O On	Compatibility	0-3	4-7
Elexol	Low	High	->	High	High	Wattstopper	U1	U5
Elexol	High	Low	->	Low	Low		U2	U6
	High	High	<-	Low	High		U3	U7
Elexol (PullUp)	Low	Low	<-	High	Low	Wattstopper	U4	U8



Sheet: /
File: Iso-I08.sch



Title: Isolated I/O 8-Channel Adapter

Id: 1/1 Date: 2017-11-19
KiCad E.D.A. kicad 4.0.7

Rev: 1
Size: USLetter